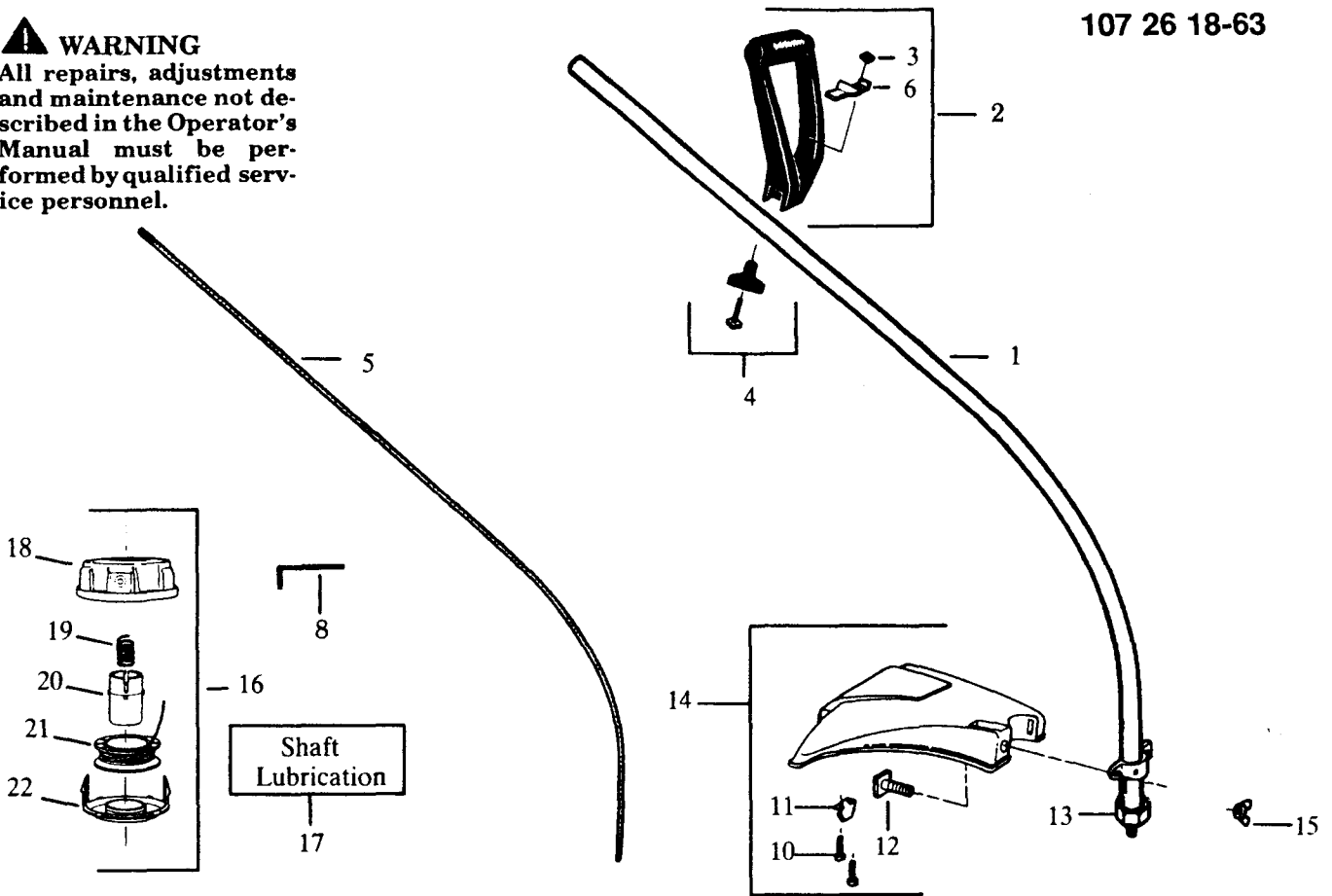


Prod. No: 952 71 52-77

SPAREPARTS

107 26 18-63

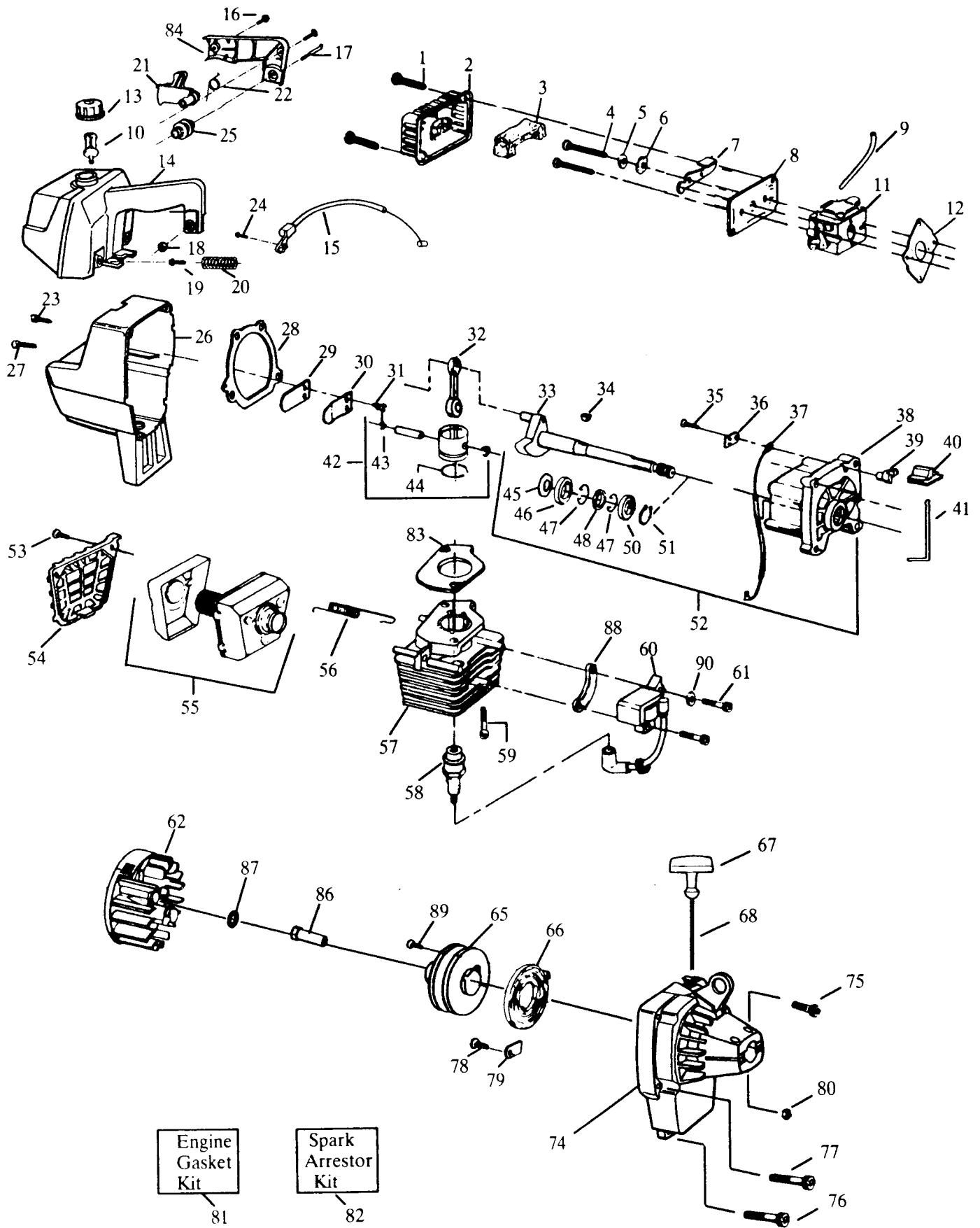
▲ WARNING
 All repairs, adjustments and maintenance not described in the Operator's Manual must be performed by qualified service personnel.



| Key No. | Part No. | Description | Key No. | Part No. | Description |
|---------|------------|--------------------------------------|---------|------------|----------------|
| 1 ✓ | 530-095285 | Drive Shaft Housing | 18 ✓ | 530-094878 | Hub Ass'y. |
| 2 | 530-069496 | Handle | 19 | 530-094830 | Spring |
| 3 | 530-015610 | Nut | 20 | 530-094827 | Release Button |
| 4 ✓ | 530-069252 | "T" Handle | 21 | 952-715508 | Spool w/Line |
| 5 | 530-094679 | Drive Shaft | 22 | 530-094828 | Cover |
| 6 | 530-094742 | Clamp | | | |
| 8 ✓ | 530-031159 | Hex Wrench (5/32) | | | |
| 10 ✓ | 530-015886 | Screw | | | |
| 11 ✓ | 530-095249 | Line Limiter | | | |
| 12 ✓ | 530-015820 | Screw | | | |
| 13 | 530-094543 | Dust Cup | | | |
| 14 ✓ | 530-069666 | Shield Kit Ass'y. (Incl. #10 &11) | | | |
| 15 ✓ | 530-016118 | Wing Nut | | | |
| 16 | 952-715552 | Cutting Head Ass'y. | | | |
| 17 | 952-715519 | Shaft Lubrication | | | |

✓ = Part Change

† = Engine Gasket Kit Contents



↙ = Part Change

† = Engine Gasket Kit Contents

| Key No. | Part No. | Description | Key No. | Part No. | Description |
|---------|--------------|--|---------|--------------|---|
| 1 | 530-015773 | Screw | 50 | 530-032102 | Outer Bearing |
| 2 | 530-027529 | Air Filter Cover | 51 | 530-015789 | Retaining Ring |
| 3 | 530-027530 | Air Filter | 52 | 530-014004 | Crankcase & Crankshaft Ass'y. (Incl. #33,38, 45 & 51) |
| 4 | 530-015849 | Screw | | | |
| 5 | 530-015852 | Spacer- Choke | 53 | 530-015717 | Screw |
| 6 | 530-015254 | Wave Washer | 54 | 530-027781 | Muffler Guard |
| 7 | 530-027526 | Choke Shutter | 55 | 530-069257 | Muffler Kit |
| 8 | 530-027527 | Air Filter Plate | 56 | 530-036409 | Muffler Spring |
| 9 | 530-069247 | Fuel Line Kit | 57 | ✓ 530-069627 | Cylinder |
| 10 | 530-014362 | Fuel Pick-up Ass'y. | 58 | 530-030075 | Spark Plug (RCJ-8) |
| | ✓ 530-069637 | Carburetor (WA-217) (Incl. Limiter Cap) | 59 | ✓ 530-001624 | Screw |
| 11 | | | 60 | 530-039134 | Ignition Module Kit |
| 12 | 530-019156 | Carburetor Gasket | 61 | 530-015776 | Screw |
| 13 | † 530-014347 | Fuel Cap Ass'y. | 62 | ✓ 530-047198 | Flywheel Ass'y. |
| 14 | 530-029552 | Handle & Tank Ass'y. | 65 | 530-069291 | Starter Pulley |
| 15 | 530-037499 | Throttle Cable Ass'y. | 66 | 530-029395 | Starter Spring |
| 16 | 530-015805 | Screw | 67 | 530-027569 | Starter Handle |
| 17 | 530-015809 | Screw | 68 | 530-069232 | Rope Kit |
| 18 | 530-015807 | Nut | 74 | 530-047162 | Fan Housing |
| 19 | 530-015713 | Screw | 75 | 530-015767 | Screw |
| 20 | 530-027926 | Rear Isolator Spring | 76 | 530-015770 | Screw |
| 21 | 530-027924 | Throttle Trigger | 77 | 530-015769 | Screw |
| 22 | 530-027925 | Throttle Spring | 78 | 530-015496 | Screw |
| 23 | 530-015810 | Screw | 79 | 530-027523 | Pulley Retainer |
| 24 | 530-015775 | Screw | 80 | 530-015768 | Locknut |
| 25 | 530-024256 | Isolator | 81 | 530-069276 | Engine Gasket Kit (†Indicates Contents) |
| 26 | ✓ 530-038080 | Shroud | 82 | 952-701612 | Spark Arrestor Kit |
| 27 | 530-015771 | Screw | 83 | † 530-019178 | Cylinder Gasket |
| 28 | 530-019154 | Gasket | 84 | 530-027917 | Handle Cover |
| 29 | † 530-027593 | Reed | 86 | 530-027953 | Drive Coupling |
| 30 | 530-027594 | Reed Stop | 87 | 530-015828 | Washer |
| 31 | ✓ 530-016064 | Screw | 88 | 530-027525 | Spacer |
| 32 | 530-014005 | Connecting Rod Ass'y. | 89 | ✓ 530-016080 | Screw (Incl. in Starter Pulley Kit) |
| 33 | 530-010945 | Crankshaft Ass'y- See Service Reference 1 | 90 | 530-015811 | Washer |
| 34 | 530-015126 | Flywheel Key | | | |
| 35 | 530-015780 | Screw | | | |
| 36 | 530-027546 | Switch Insulator | | | |
| 37 | 530-027547 | Lead Wire | | | |
| 38 | 530-014016 | Crankcase Ass'y. (Incl. #46,47,48 & 50) | | | |
| 39 | 530-027545 | Switch Ramp | | | |
| 40 | ✓ 530-038309 | Switch Cover | | | |
| 41 | 530-027959 | Switch Spring | | | |
| 42 | 530-069274 | Piston Kit (Incl. #43,44 & Pin) | | | |
| 43 | 530-015162 | Piston Pin Retainer | | | |
| 44 | 530-026413 | Piston Ring | | | |
| 45 | ★★★★ | Spacer- See Service Reference 1 | | | |
| 46 | 530-032103 | Inner Bearing | | | |
| 47 | 530-015787 | Retaining Ring | | | |
| 48 | 530-019158 | Crankshaft Seal | | | |

✓ = Part Change

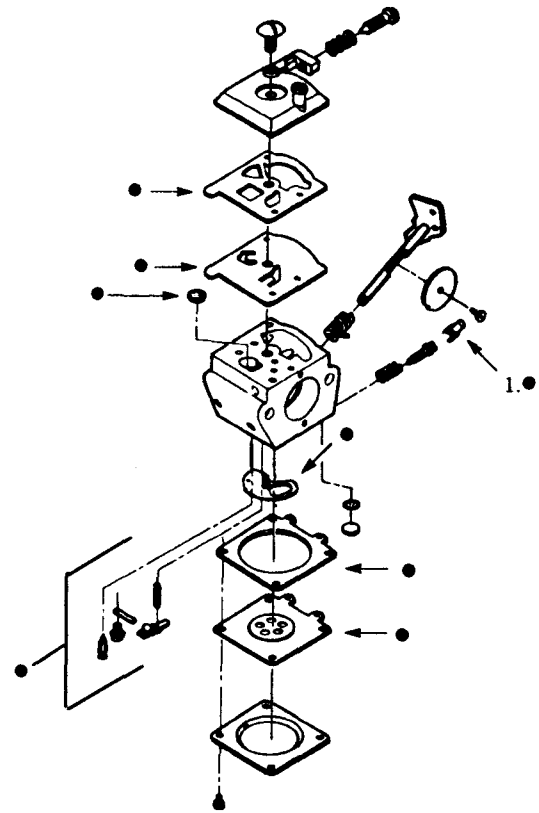
† = Engine Gasket Kit Contents

Carburetor Assembly (WA-217) #530-069637

| Key No. | Part No. | Description |
|---------|--------------|--|
| 1 | ✓ 530-038404 | Limiter Cap Carburetor Repair Kit (● Indicates Contents) |
| 2 | ✓ 530-069460 | |

Carb.
Repair
Kit

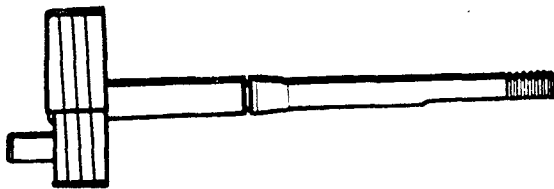
2.



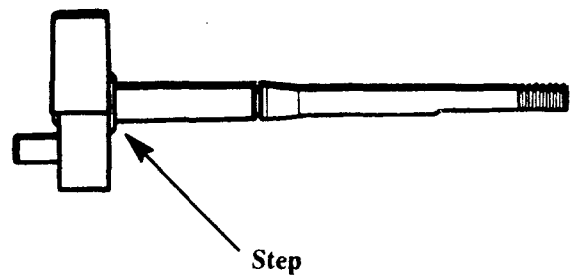
SERVICE REFERENCE

1. Crankshaft Spacer – Earlier models equipped with the laminated crankshaft (shown on the left) requires Spacer 530-015788. Later models equipped with a step on the crankshaft (shown on the right), do not require the spacer.

Spacer Required



Spacer Not Required



✓ = Part Change

† = Engine Gasket Kit Contents